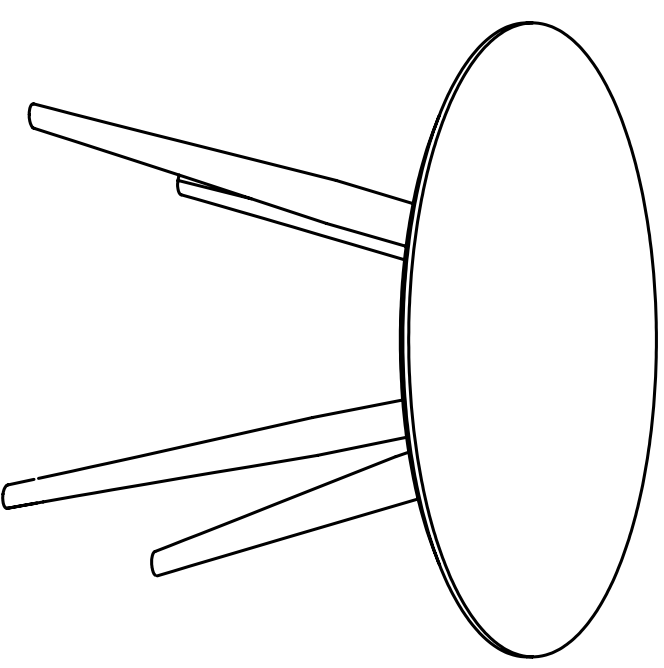
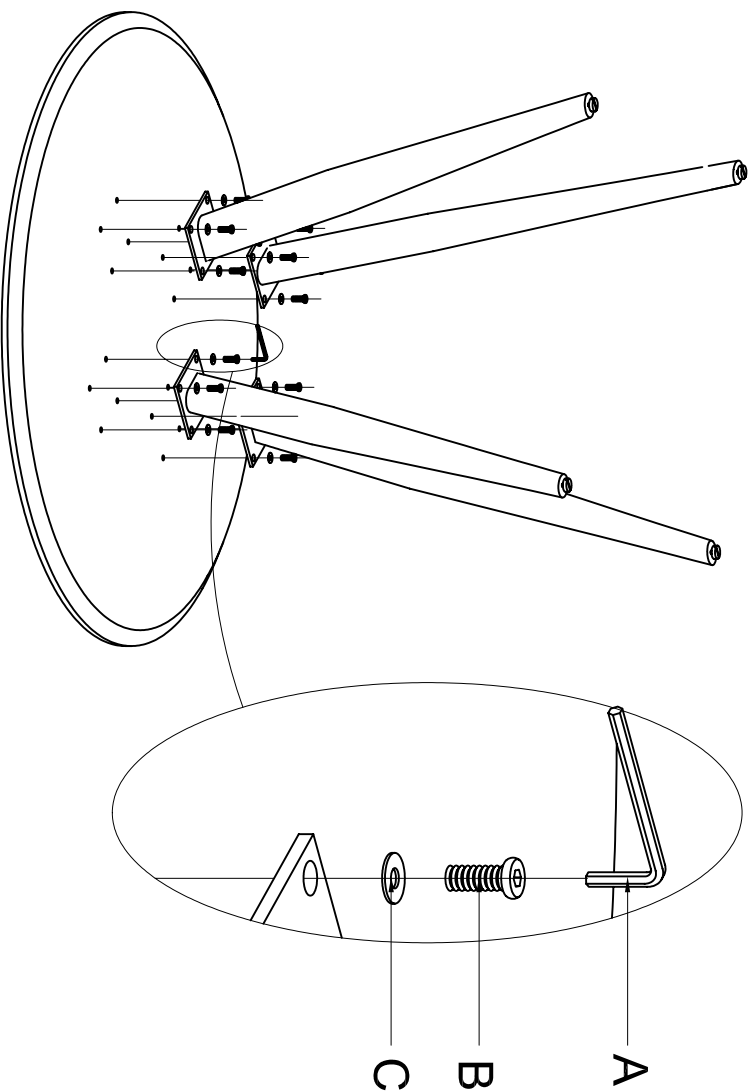
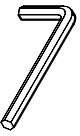
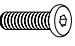



Step 1

FINISH



# ER-1170-21

A	 5MM	1PCS
B	 M8*20	16PCS
C	 $\phi 17 \times \phi 8 \times 1.5$	16PCS